

Making Drawers: Materials, Methods and Mechanics

Dates: Saturday, Jan.30 and Feb. 13

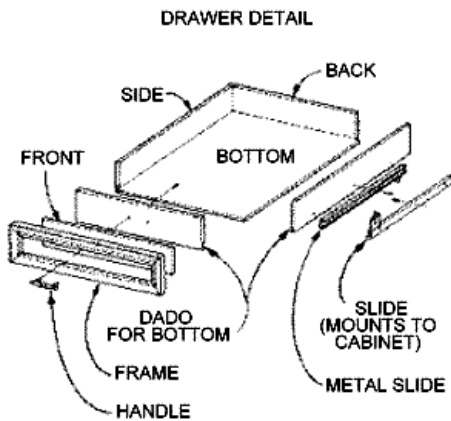
9:00 am to 12:00 noon

Instructor: George Rutledge

Where: Stillwater Shop

Cost: \$40 plus a \$12 materials fee.

One of the most frequently encountered projects in woodworking is making and fitting a drawer into its case. This is a requirement for everything from a set of kitchen cabinets to the piston fit of a jewelry box drawer. Fundamentally it is a matter of making a box with an open top. A box that will withstand the weight, movement and the other distorting forces that years of use will impose and will continue to easily move in its case.



This two session course will introduce students to the skills required to make and fit a drawer. Through lecture and demonstration it will cover design, measurement and layout.

Some common joinery techniques for wood and man-made board, as well as the use of drawer slide hardware, will be covered. Students will have the

opportunity to practice the methods taught in this class, to the extent that their time allows.

To enroll send an e-mail to: hfinkbei@nycap.rr.com

